

Simplify your engineering and optimize your teamwork in the construction of process plants - with time savings of up to 60% !

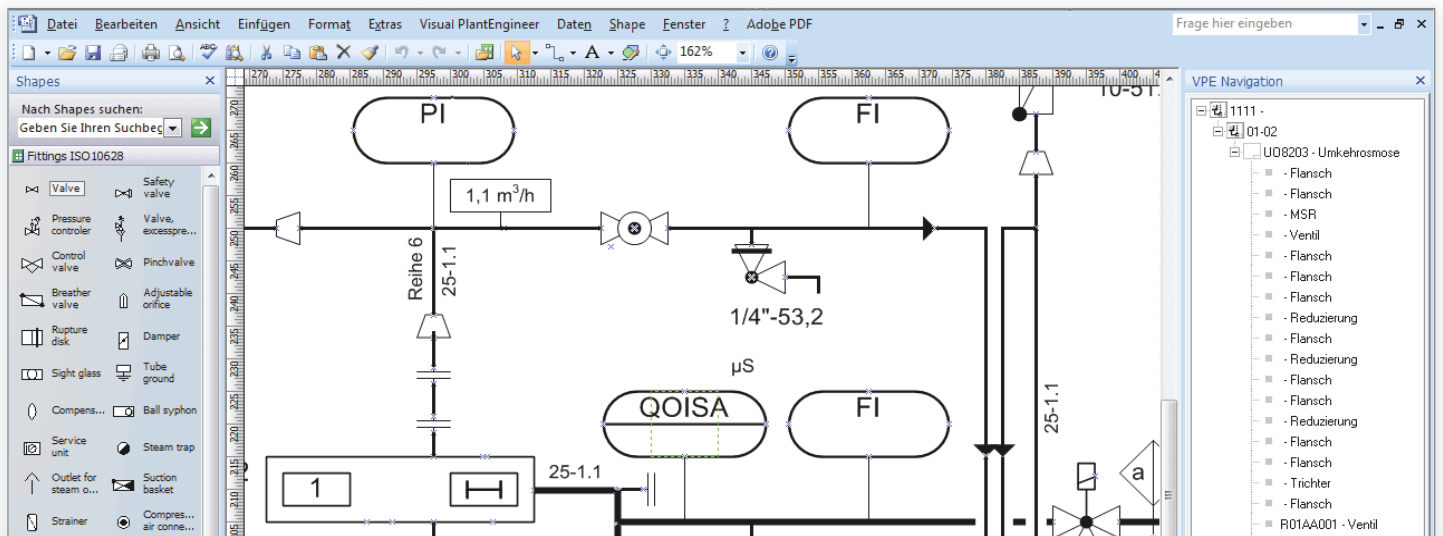
## Visual PlantEngineer - Efficient and cost-effective P&IDs on the basis of Microsoft Visio®

Traditional CAD solutions and standalone solutions are often inflexible and expensive. **Visual PlantEngineer** is an integrated, object-oriented P&ID-Tool for engineering teams which makes possible an efficient and transparent engineering and documentation process in the construction of process plants.

**Visual PlantEngineer** is based on Microsoft Visio®. This means it offers many advantages – for example, minimal need for training, simple data exchange using Microsoft Excel®, commissioning documentation in Microsoft Word®, multi-linguality, as well as simple integration into an existing IT infrastructure.

### Planning as a team means:

- 1. Visual PlantEngineer does away with the bottleneck “central documentation section”**  
The implementation of ideas is carried out already in the company, it is paperless and immediately accessible. The use of different versions makes editing easy. Data can be exchanged directly with Microsoft Word, Excel and Access®.
- 2. The amount of training required is reduced thanks to the familiar Microsoft user interface**  
Only one day of training is required for learning how to work with the application, and no prior knowledge of CAD is required. Quickly take up again where you left off after an interruption in work.
- 3. Automatic creation of commissioning handbooks**  
Standardization of documents and concepts across sections of the company. Multilingual creation of documents and lists.
- 4. Time-savings thanks to numerous intelligent functions and conveniences**  
Up to 50% time saving due to inclusion of intelligent symbols for the creation of P&IDs. ERP interface, Excel® lists, and commissioning documents in Word®, avoidance of errors and redundant data, and no media disruption.



The construction of process plants is simplified thanks to standardized piping and instrumentation diagrams (P&IDs) in accordance with ISO 10628

Visual PlantEngineer has been developed in close cooperation with planners, installers and operators of process plants. With Visual PlantEngineer there is finally a practice-oriented solution that offers all the necessary interfaces for detail engineering. This brings many advantages:

- Task-related
- Standardization of concepts throughout the company
- Minimal costs for licenses, training and operation
- A single tool for basic and detail engineering, installation and commissioning
- ERP interface, Excel® and Word®, structural view for ease of navigation
- Creation of Excel-lists: I&C, apparatus and aggregates, material flow, ...
- Automated filtering and sorting
- Multilingual for global teams
- Highlight function for construction and commissioning status
- Simple integration into pre-existing IT
- Uniform and consistent data from sales to operation
- Avoidance of redundant data

### Areas of Application

- Chemical plants
- Pharmaceutical plants
- Water processing plants
- Shipyards
- Power plants
- Surface coating technology
- Biogas facilities
- Oil refineries
- Food technology

### References

- Dürer Systems
- Hager + Elsässer
- Grünbeck
- Linde Gas
- Elster Kromschroder
- NEUHAUS NEOTEC
- KLEIN Technical Solutions
- Mess- und Regeltechnik Jücker
- HOERBIGER Kompressortechnik

### Symbol Libraries for

- Piping and instrumentation diagrams (ISO 10628)
- Space technology facilities (EN 12792/ DIN 1946-1)
- Refrigerating plants & heat pumps (EN 1861)
- Vacuum technology (DIN 28401)
- Piping components (DIN 2429)

### Ready for success!

#### Contact:

X-Visual Technologies GmbH  
 Rudower Chaussee 29  
 D-12489 Berlin Adlershof  
 Tel. +49 (30) 6392 6125  
 Fax +49 (30) 6392 6127  
 info@x-visual.net

X+VISUAL

**Microsoft**  
**GOLD CERTIFIED**  
 Partner

Microsoft  
 Office Visio